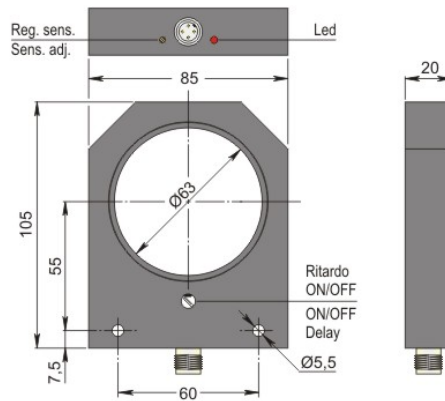


Part number: **SIA000156** Model: **SIA63-CE PNP NO+NC H R**



Dimension in mm

1. TECHNICAL CHARACTERISTICS



Electrical data

Power supply type:		Direct current
Working voltage:	[V]	10 ÷ 30
Current consumption:	[mA]	< 15 mA @ 24Vdc
Protection class:		III
Reverse polarity protection:		Presente

Outputs

Electrical design:		PNP
Function:		NO+NC
Delay ON de-energization:	[ms]	100 (when inserted)
Max voltage drop:	[V]	< 1.8
Max output current:	[mA]	200
Max switching frequency:	[Hz]	See instructions for installation
Short circuit protection:		Present
Overload protection:		Present

Detection zone

Sensing hole diameter:	[mm]	63
Minimum detectable object:	[mm]	Ø 6x12 - Fe360

Accuracy and Deviations

Correction factor:		Stainless steel: 0.9 - Brass: 0.5 - Aluminium: 0.4 - Copper: 0.4
Hysteresis:	[%Sr]	Depends on the sensitivity
Switching point drift:	[%Sr]	-1
Repeatability:	[%Sn]	< 0.3

Environmental conditions

Temperature limits:	[°C]	-20 / +60 °C
IP rating:		IP65

Display and control elements

Display:		Output switching status - 4 x 90° LED: Yellow
----------	--	---

Mechanical data

Housing:		Ring
Dimensions:	[Hz]	85 x 20 x 105
Materials:		Housing: PVC black - Sensing area: PVC black
Mounting:		Not embeddable
Weight:	[g]	170

Electrical connection

Connector:		H type - M12X1 - Gold plated contacts
------------	--	---------------------------------------


Compliance to Standards / Directives

Directives compliance:		2014/30/EU -Electromagnetic compatibility directive (EMC)
Standards compliance:		EN60947-5-2 - Product standard

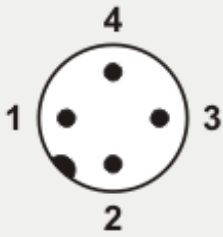
2. NORME DI INSTALLAZIONE

WIRING DIAGRAM

CONNECTION WITH H PLUG



PNP NO+NC



VIEW OF MALE CONNECTOR

- 1 = Brown / +
- 3 = Blue / -
- 4 = Black / output NO
- 2 = White / output NC

INSTRUCTIONS FOR CORRECT INSTALLATION

INSTRUCTIONS FOR CORRECT INSTALLATION

Fig. 1

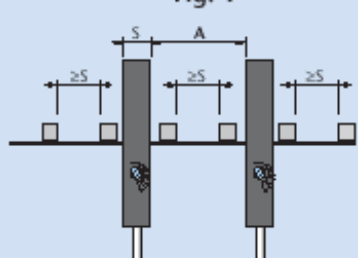
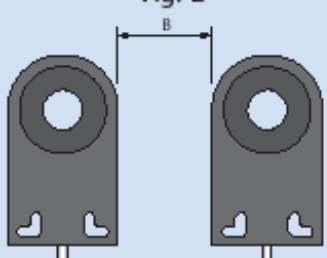


Fig. 2



Model	SIA05	SIA12	SIA15	SIA22	SIA30	SIA44	SIA63	SIA100
A (Fig. 1) mm	25	30	30	60	60	300	300	600
B (Fig. 2) mm	10	10	10	20	20	250	250	650

Titolo img 1

MIN. DIMENSIONS OF THE OBJECT TO DETECT (Fe37)

Model		SIA63
Lenght	mm	12
Diameter	mm	6

SWITCHING FREQUENCY

The switching frequency of inductive ring sensors depends on delayed impulse time (**when inserted**) according to the formula :

$$\text{Switching frequency (Hz)} = \frac{1}{(T \text{ impulse} + 10) \text{ mS}}$$

Vice versa, the switching frequency will be between 100+200 Hz.